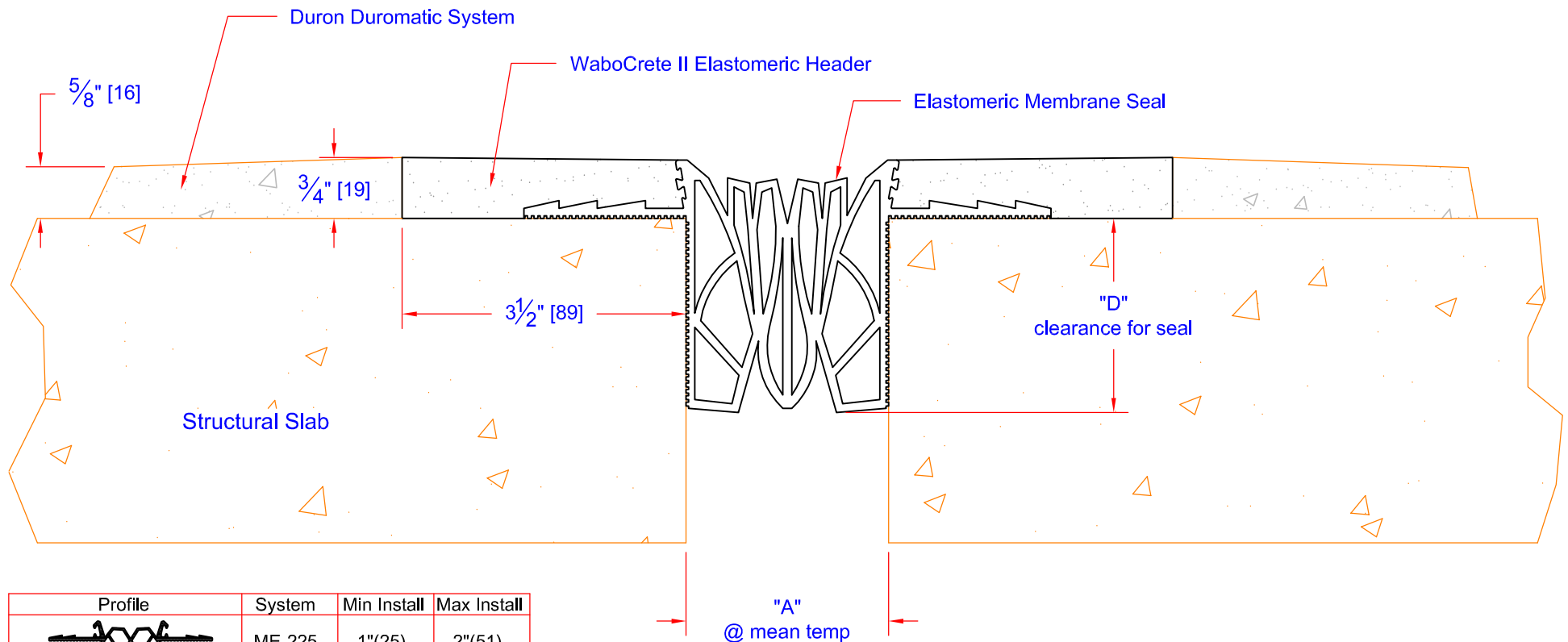


G:\Engineer\Proposal drawings\Me\Duron (Sobol)\A25658.dwg, Sheet 1, 2/6/2008 11:36:35 AM



Profile	System	Min Install	Max Install
	ME-225	1"(25)	2"(51)
	ME-300	2"(51)	2 3/4"(70)
	ME-400	2 1/2"(64)	3 3/4"(95)
	ME-500	3"(76)	4 3/4"(121)
	ME-600	3 1/2"(89)	5 3/4"(146)

"A"
@ mean temp

() - DENOTES MILLIMETERS

DIMENSION CHART							
Model	* Part Number	"A" @ Min	"A" @ Mid	"A" @ Max	Total Movement	"D"	Shear Movement
ME-225	8825	3/4"(19)	1 3/8"(35)	2 1/4"(57)	1 1/2"(38)	1 3/8"(35)	± 3/4"(19)
ME-300	8881	1 1/2"(38)	2 1/8" (54)	3"(76)	1 1/2"(38)	1 7/8"(48)	± 1 1/2"(38)
ME-400	8883	1 1/2"(38)	2 1/2"(64)	4"(102)	2 1/2"(64)	2 5/8"(67)	± 2"(51)
ME-500	8885	1 3/4"(44)	3 1/8"(79)	5"(127)	3 1/4"(83)	3 1/8"(79)	± 2 1/2"(64)
ME-600	8887	2"(51)	3 3/4"(95)	6"(152)	4"(102)	3 7/8"(98)	± 3"(76)

* (Standard Black Santoprene Seal)

Note: Minimum And Maximum Values Are After Movement Occures. Mid Point Value Is The Recommended Size Of The Opening At Installation.

Wabo®Crete Membrane
Model: ME



Watson Bowman Acme Corp.
95 Pineview Drive Amherst, NY 14228
phone: (716) 691-7566 fax: (716) 691-9239
www.wbacorp.com

Information provided herein, including but not limited to, any drawing, design, photograph, graphic, or statement(s) ("Materials") are proprietary and the property of Watson Bowman Acme Corporation ("Company"). Reproduction, translation, or reduction to any electronic medium or machine readable form, in whole or in part, is strictly prohibited, except for the express purpose for which it has been furnished, without prior written consent of Company. All Materials contained herein are provided by Company for information purposes only. Company reserves the right to amend or withdraw any information contained in the Materials without notice. All technical or other advice by Company, whether verbal or written, concerning products, or the use of products in specific situations ("Advice") is given by Company and is used at the Users own risk.

DETAILED BY: JEH	DATE: 2/6/08
CHECKED BY: JEH	CURRENT ISSUE: 2/6/08
SHEET NO: 1	DRAWING NO: A - 25658